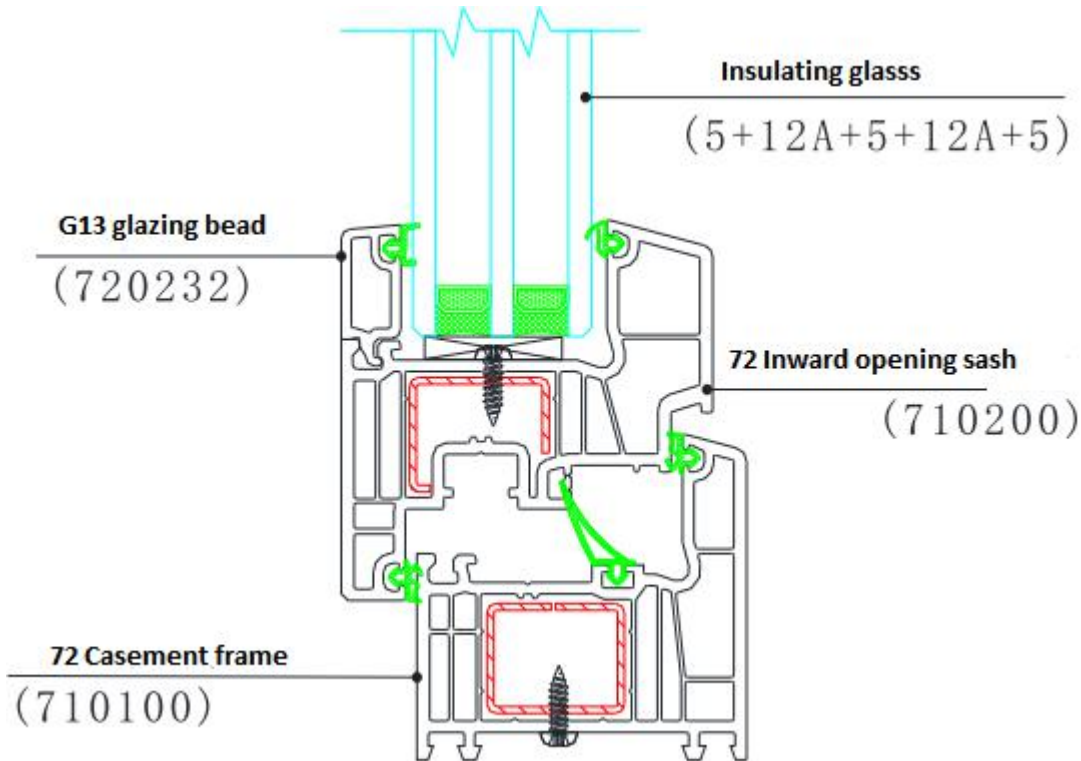


# G72 Casement Window/Door Profiles.

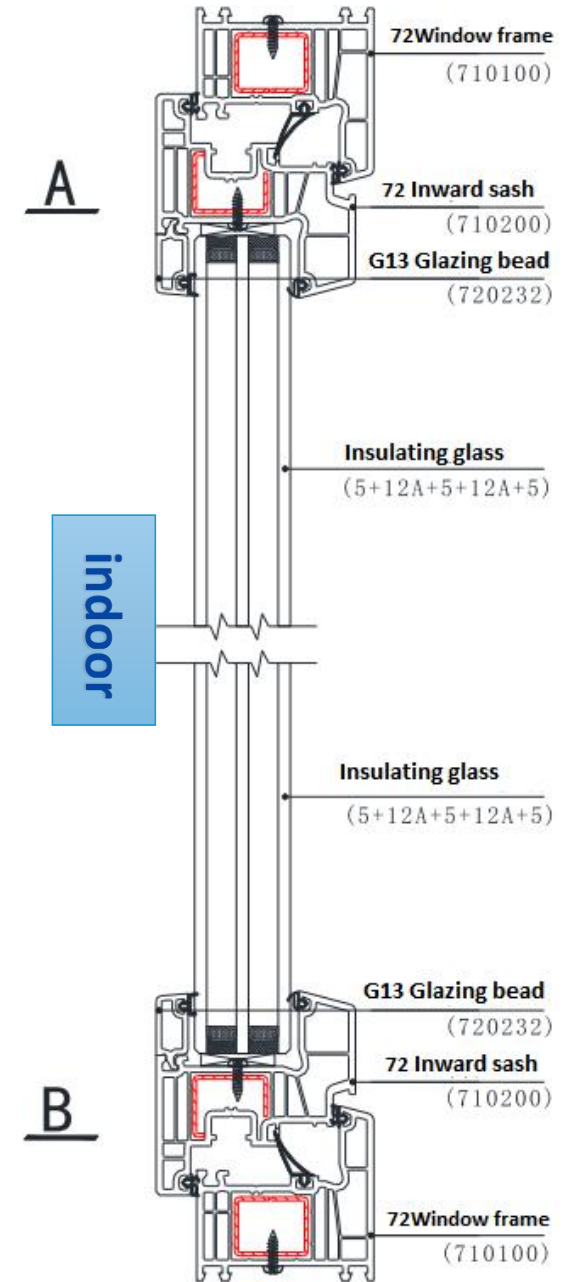
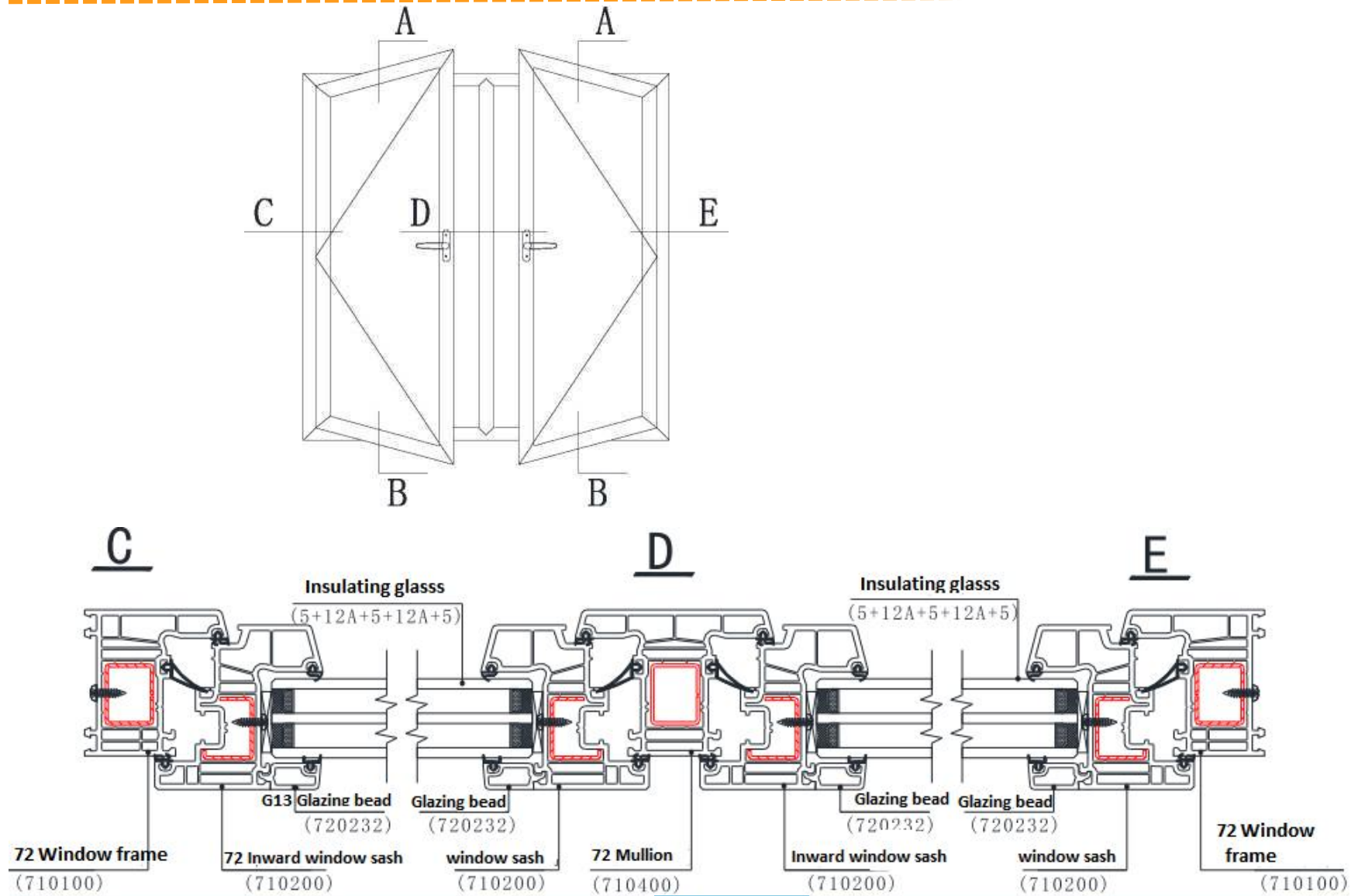
## System Structure of G72



## Features:

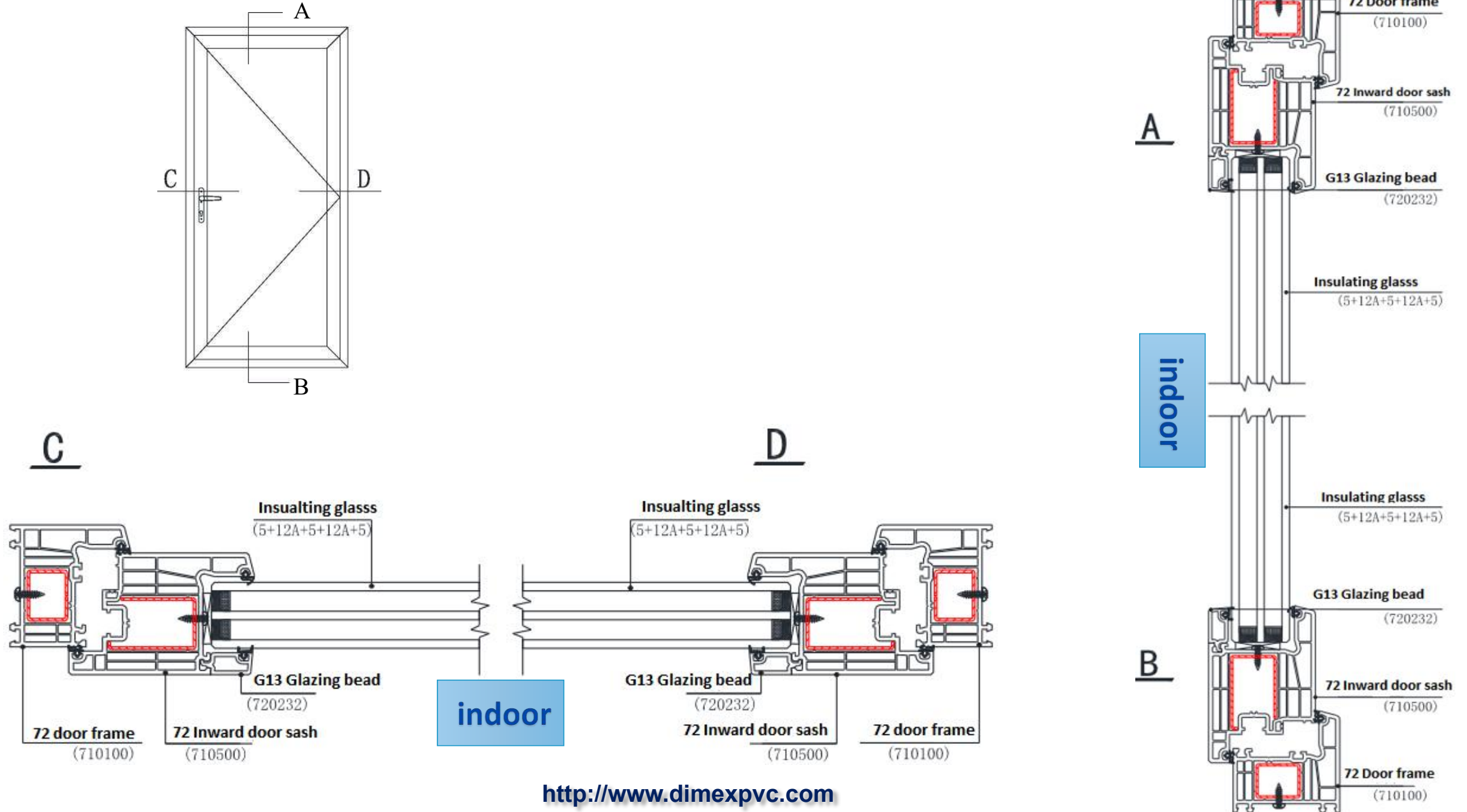
1. The visual surface thickness is 2.8mm and non-visual surface thickness is 2.5mm. Six-chamber structure makes its thermal insulation up to level-9.
2. Glazing width of 24mm, 39mm are available, which can meet the requirements for high thermal-insulation glass. Triple glazing can target a minimum  $U_w$  of 1.3-1.5W/m<sup>2</sup>k.
3. The 3-level gasket solution can achieve soft seal (large rubber gasket structure) as well as hard seal structure.
4. The window sash is designed with "a large forehead" and the rainwater will drain away quickly along the window frame, which can effectively prevent the sash from being frozen in winter;
5. The frame, sash and glazing bead can be used universally.
6. The hardware is easy for selection and assembly.
7. Colour options: Standard white, full color (homogeneous), color co-extruded, lamination.

# Section Drawing of G72 Inward Opening Casement Window

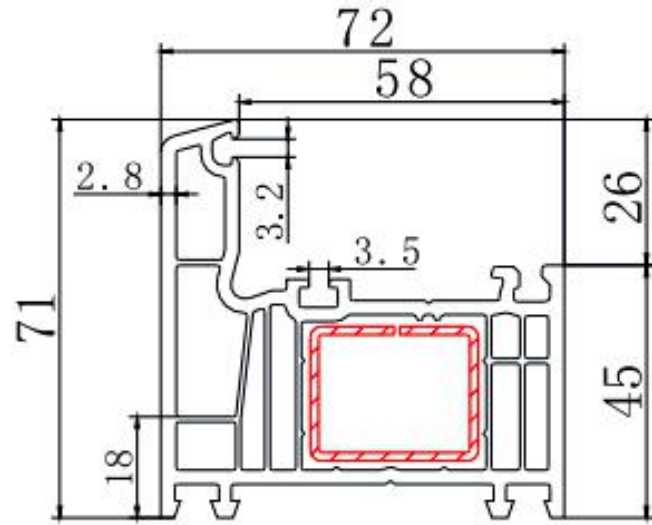


indoor

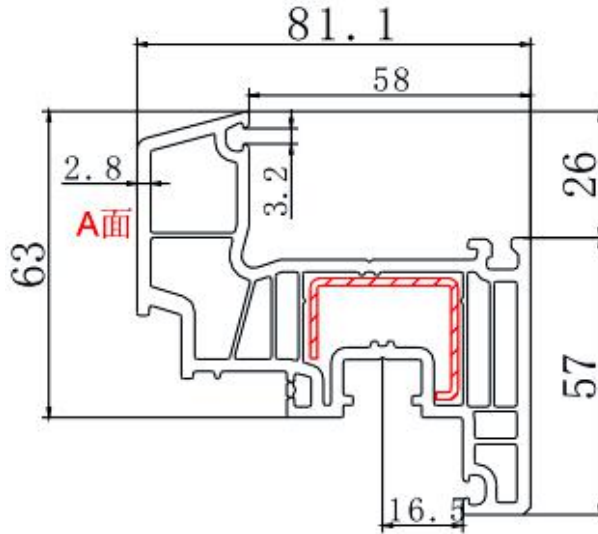
# Section Drawing of G72 Inward Opening Casement Door



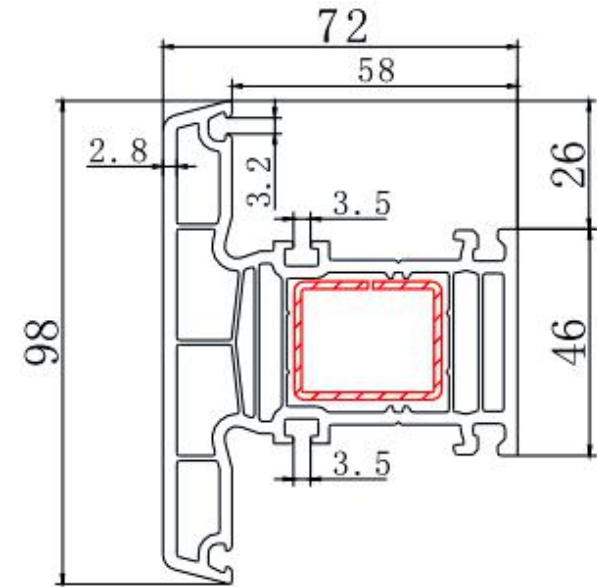
# Section Drawing of G72 Casement Window Profile



NAME	72 Casement Window Frame
CODE	710100
KG/M	1.471 kgs
Size of Steel Reinforcement	30 * 24 mm

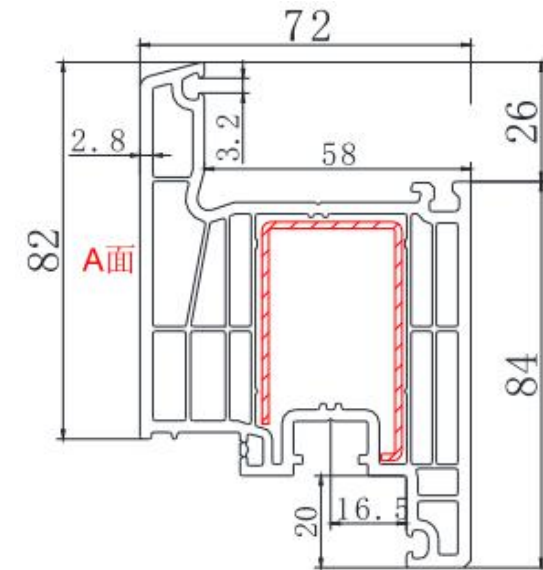
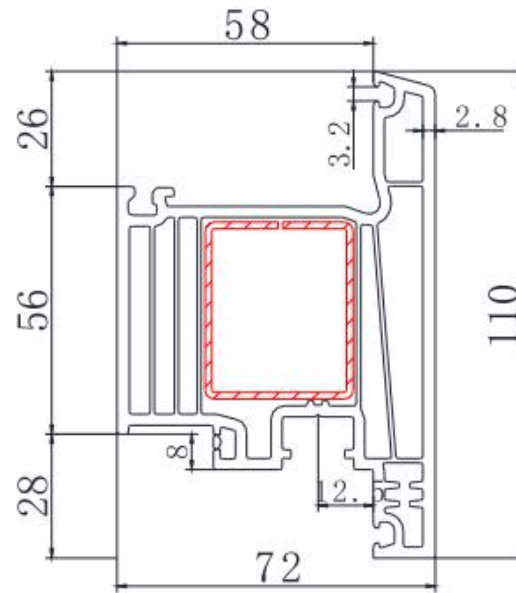
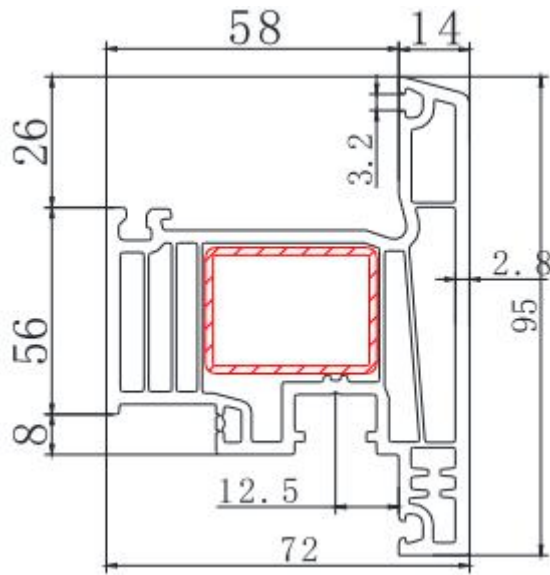


NAME	72 Inward Opening Window Sash
CODE	710200
KG/M	1.616 kgs
Size of Steel Reinforcement	4*25*30*16 mm



NAME	72 Mullion
CODE	710400
KG/M	1.663 kgs
Size of Steel Reinforcement	30* 24mm

# Section Drawing of G72 Casement Windowoor Profile

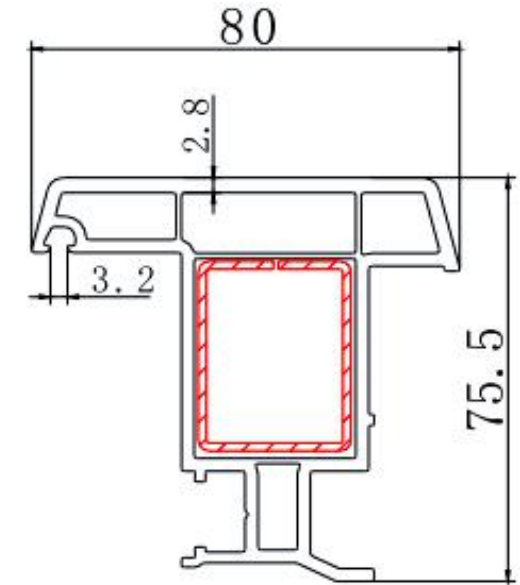
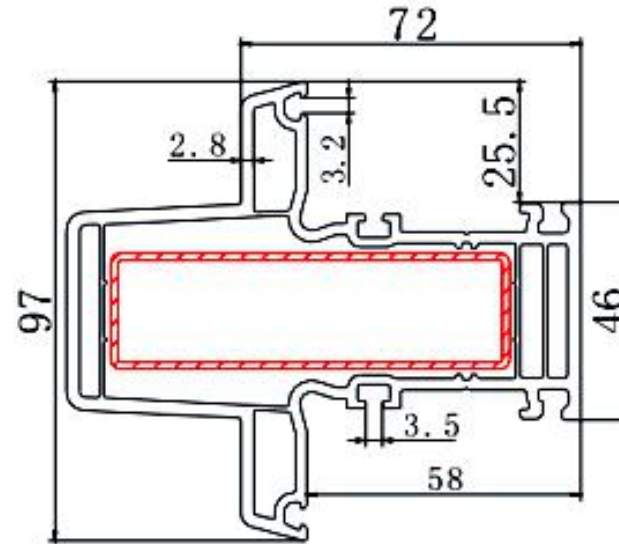
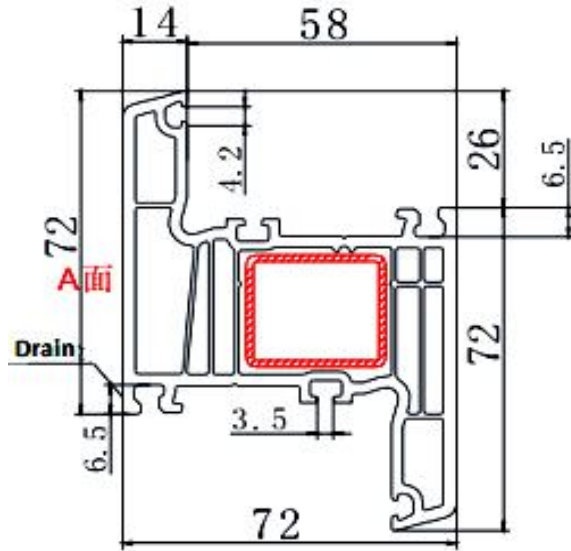


NAME	72 Outward Opening Window Sash
CODE	710900
KG/M	1.796 kgs
Size of Steel Reinforcement	34 * 25 mm

NAME	72 Outward Opening Door Sash
CODE	710300
KG/M	1.972 kgs
Size of Steel Reinforcement	33 * 40 mm

NAME	72 Inward Opening Door Sash
CODE	710500
KG/M	2.13 kgs
Size of Steel Reinforcement	44*30*52*4 mm

# Section Drawing of G72 Casement Window Profile



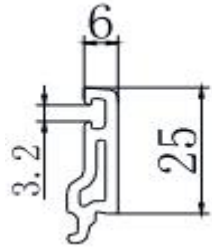
NAME	72 Z Mullion
CODE	711200
KG/M	1.703 kgs
Size of Steel Reinforcement	30 * 25 mm

NAME	72 Reinforced Mullion
CODE	710600
KG/M	1.918 kgs
Size of Steel Reinforcement	84*24 mm

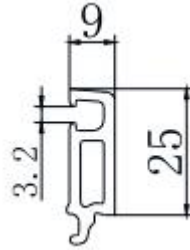
NAME	72 Movable Mullion
CODE	710700
KG/M	1.294 kgs
Size of Steel Reinforcement	28* 35 mm



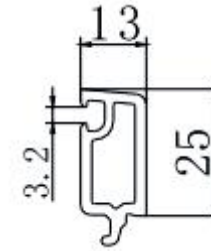
# Auxiliary Profiles of G72 Casement Window/Door.



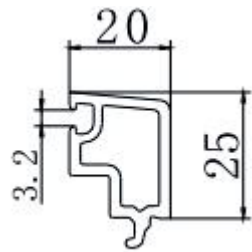
NAME	Glazing Bead G6
CODE	322241
KG/M	0.204



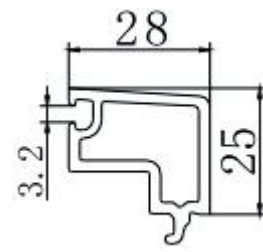
NAME	Glazing Bead G9
CODE	322031
KG/M	0.205



NAME	Glazing Bead G13
CODE	720232
KG/M	0.235

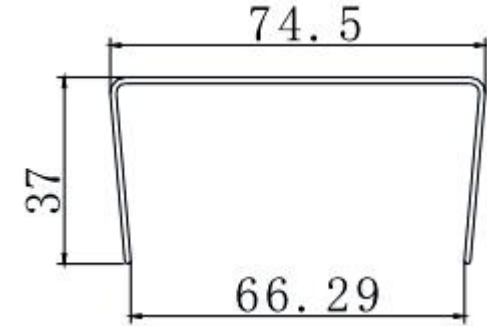
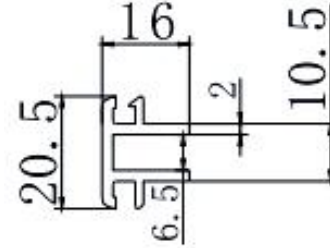
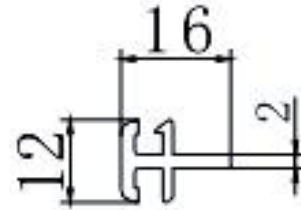
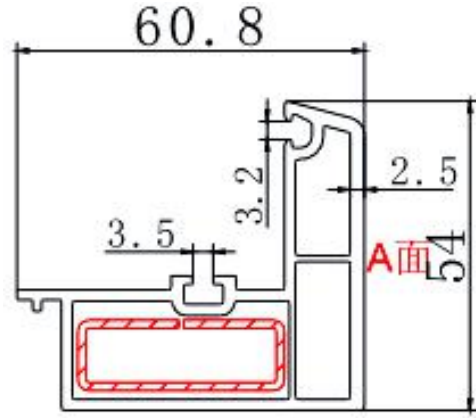


NAME	Glazing Bead G20
CODE	322333
KG/M	0.275



NAME	Glazing Bead G28
CODE	720136
KG/M	0.338

# Auxiliary Profiles of G72 Casement Window/Door.



NAME	72 Conversion profile
CODE	710800
KG/M	0.756 kgs
Size of Steel Reinforcement	38 * 13 mm

NAME	Small Coupling G
CODE	322900
KG/M	0.11

NAME	Large Coupling G
CODE	322700
KG/M	0.18

NAME	Cover profile
CODE	629400