

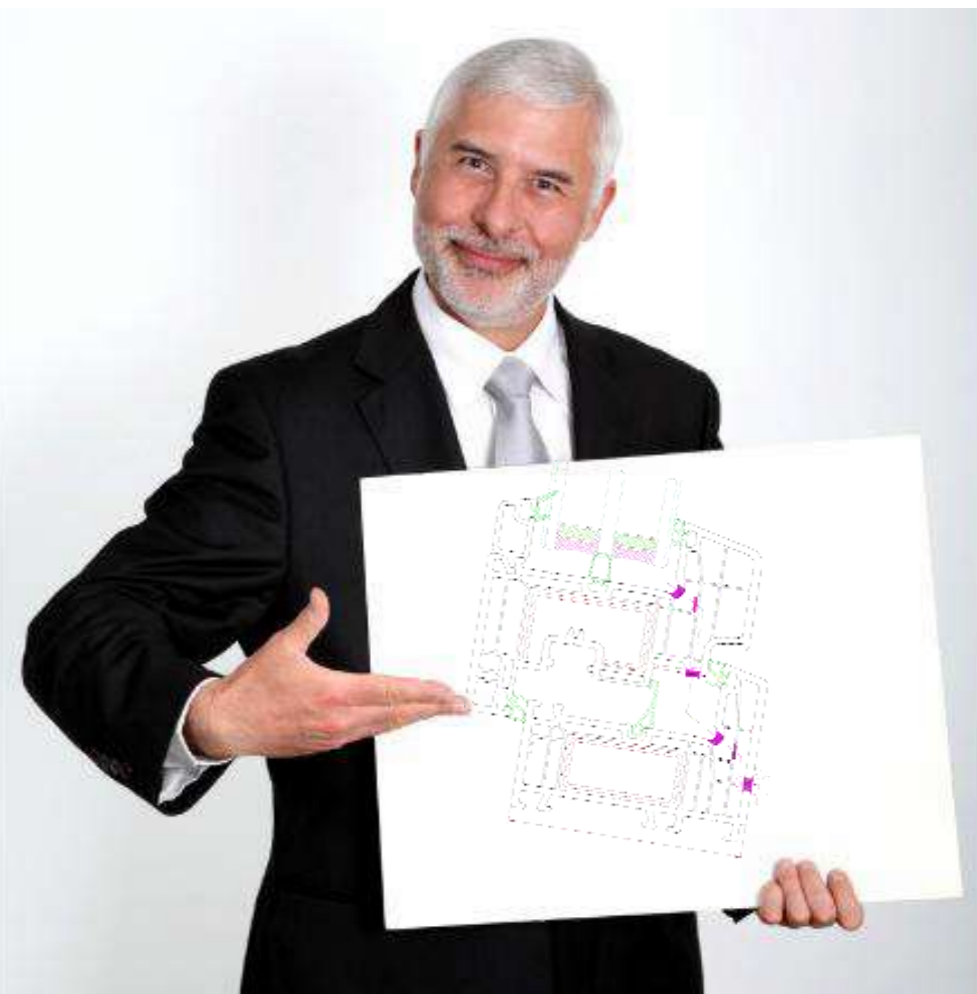
**DIMEX**<sup>®</sup>

DIMEX (Taicang) Window Profile Co.,Ltd.

Since 1933 From 

## Introduction of New Products

**CE, SGS, SKZ & TUV (ISO9001) CERTIFIED.**



<http://www.dimexpvc.com>

# E82und Top Performance (Refractory) Window System.

E82und is a top performance refractory window system which designed as per European standard, the advantages are as follows:

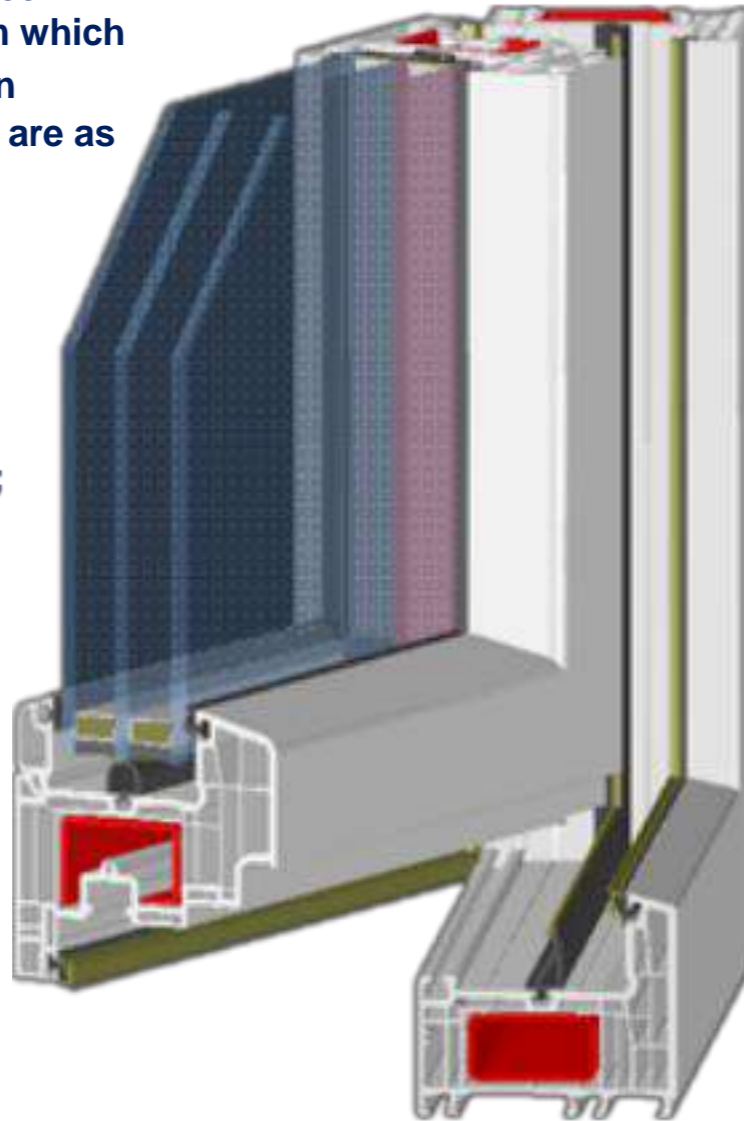
Uf 0.90~1.10 W/m<sup>2</sup>·K;  
Air tightness Grade 8,  
Water tightness Grade 6,  
Wind pressure resistance above Grade 8,  
Sound insulation Grade 5,  
Heat preservation Grade 10;

1. Advanced "hidden hinge" can be assembled;

2. Fire and flame retardant function;

3. Screw socket transom(mullion).

4. Available for 34 ~51mm glass configuration.



<http://www.dimexpvc.com>

## System Structure of E82und

① Glazing width of 36mm, 42mm, 46mm, and 51mm are available.

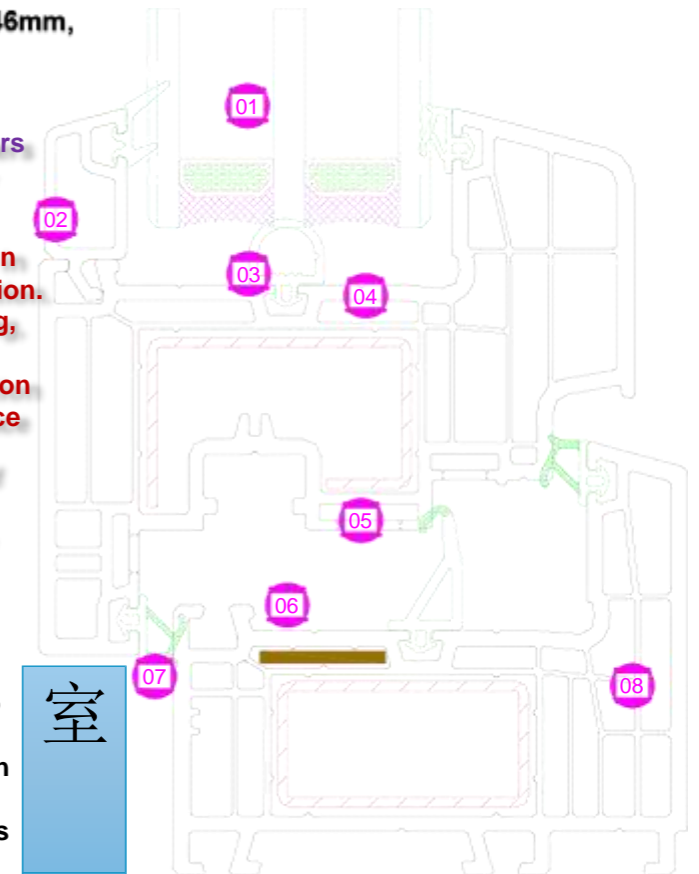
② 7 chamber & 3 sealing structure, Transverse chambers and stiffeners are designed to prevent the inner chambers from sinking

③ O-shaped sealing strips installed in the glass slot to block air convection. It greatly improves window sealing, and effectively alleviates heat transfer, improving sound insulation and thermal insulation performance

④ There are 3 chambers of fire proof expansion strips in opening sash to ensure the quality of refractory windows.

⑤ Steel clips are fitted on the inside, outside and below the glass. And we set 304 stainless steel fire strip in the opening part of the window and make it closely connected with steel reinforcement, which is the unique fire system structure of this system.

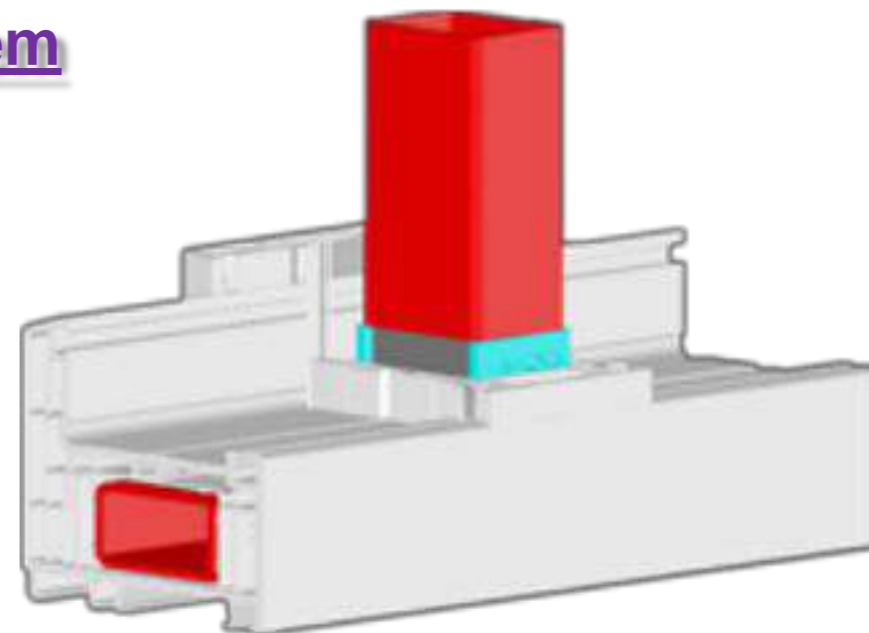
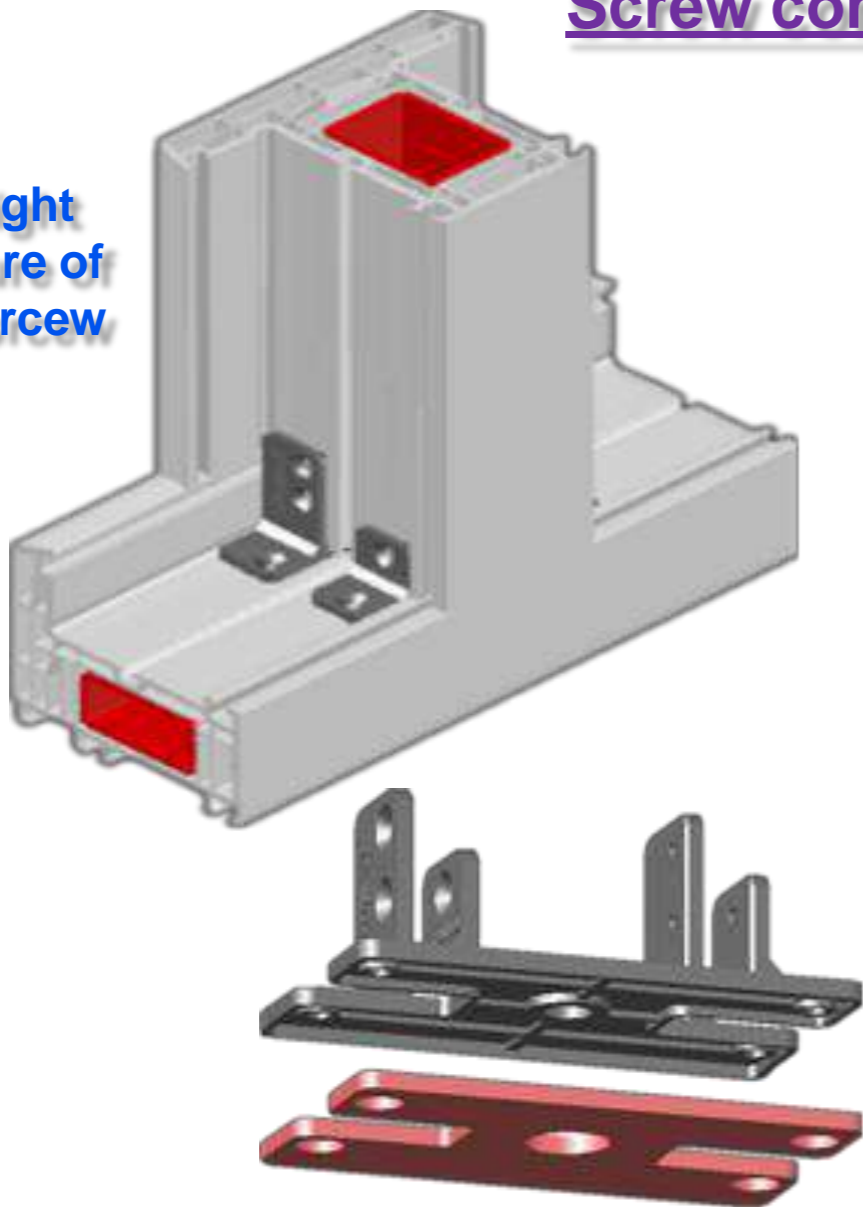
⑥ The visible surface of the profile  $\geq 2.8\text{mm}$  wall thickness; Double cavity support arm can enhance the force strength when the window is closed and meet the installation of "hidden hinges".



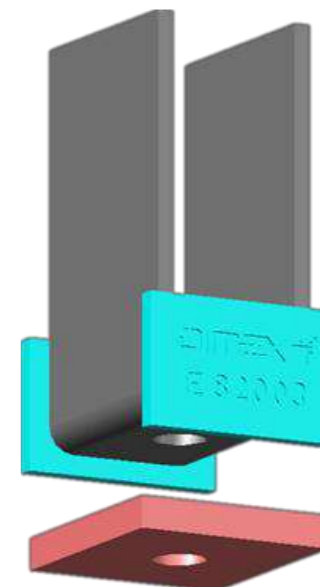
# E82und Top Performance (Refractory) Window System.

## Screw connection system

Watertight structure of outer screw parts.



Watertight structure of inner screw parts

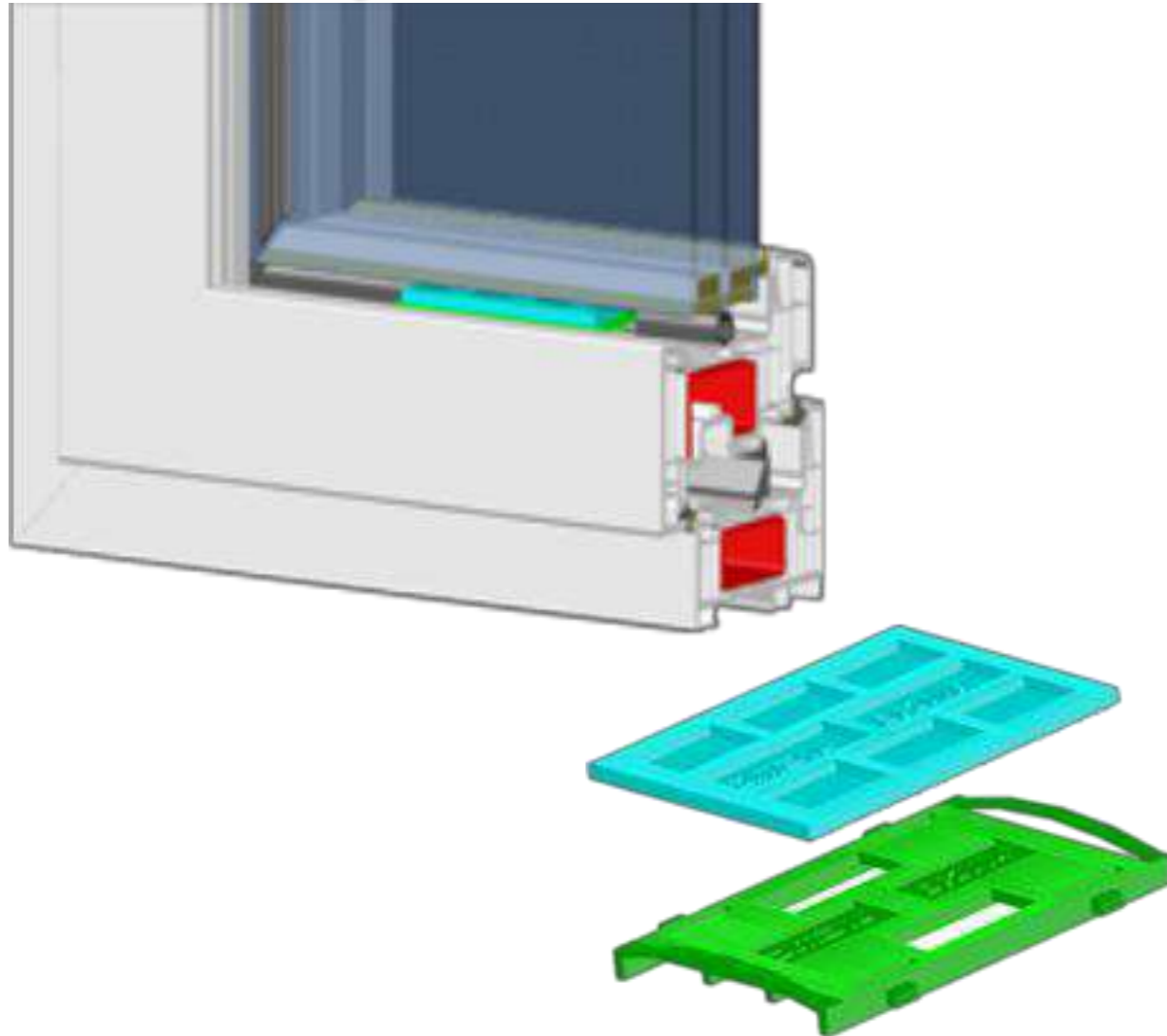




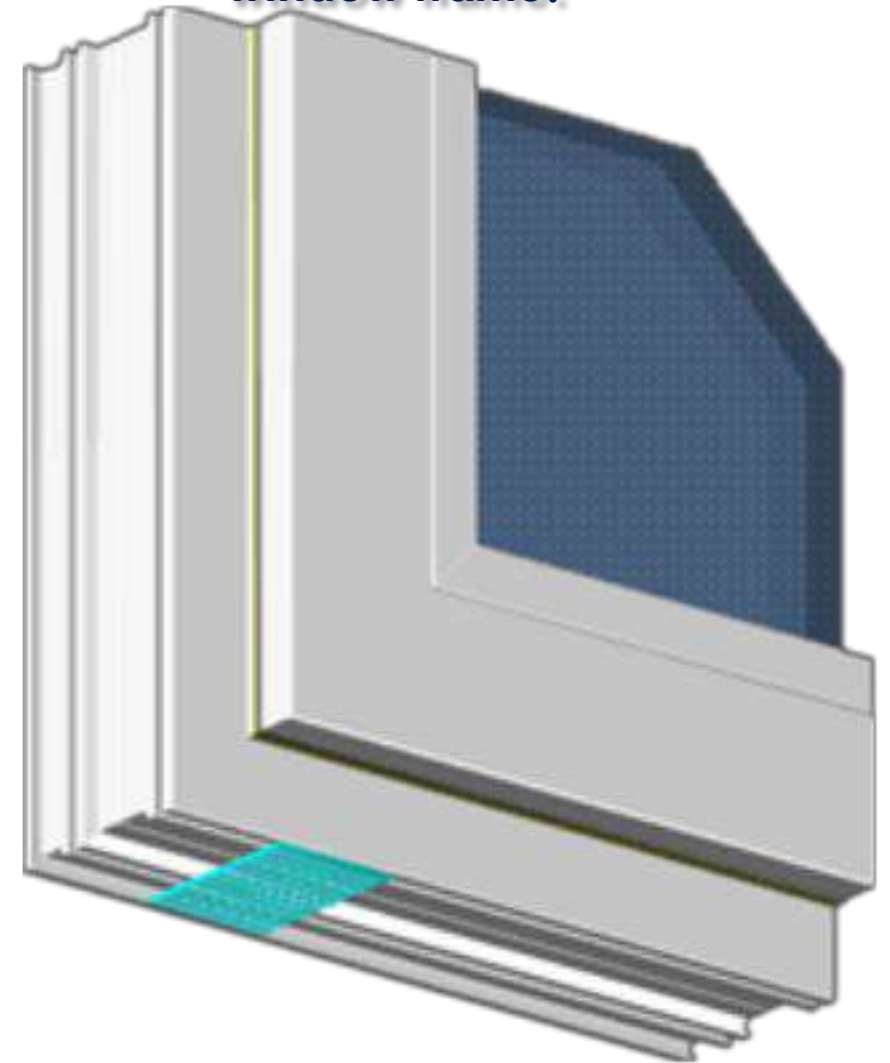
# E82und Top Performance (Refractory) Window System.

## Assembly System

Glass assembly structure:



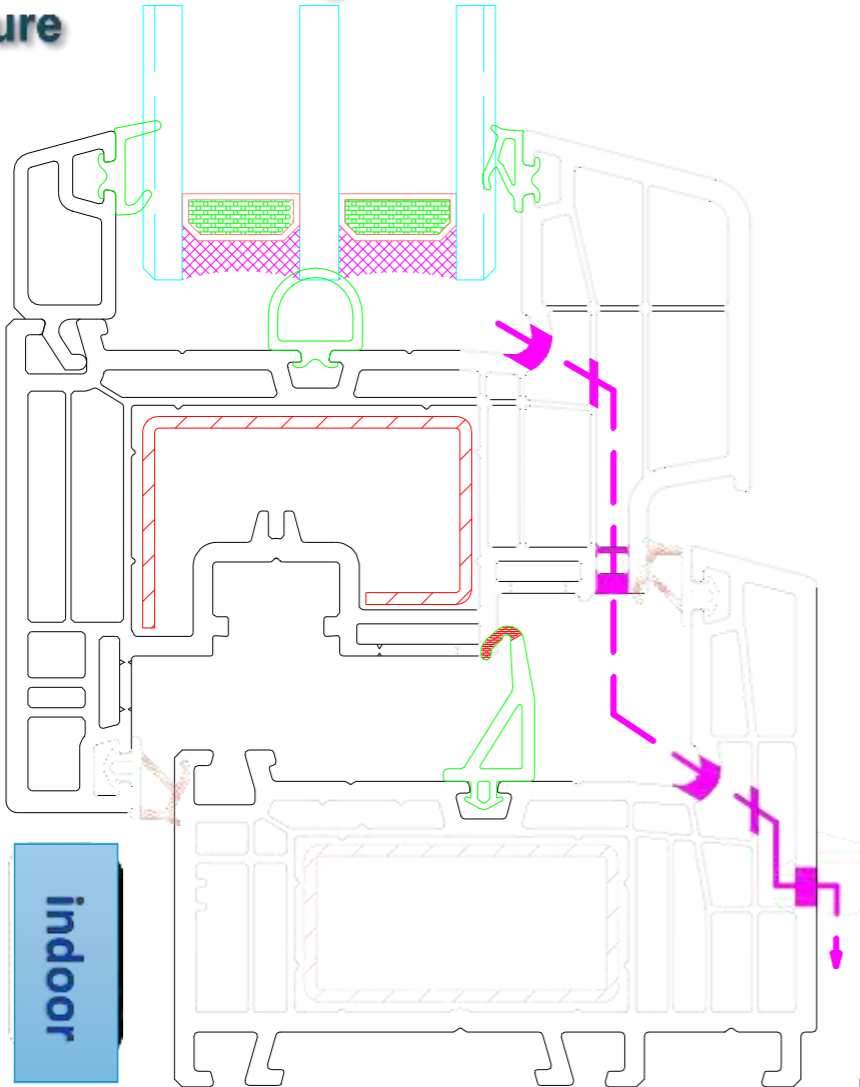
Installation system of window frame:



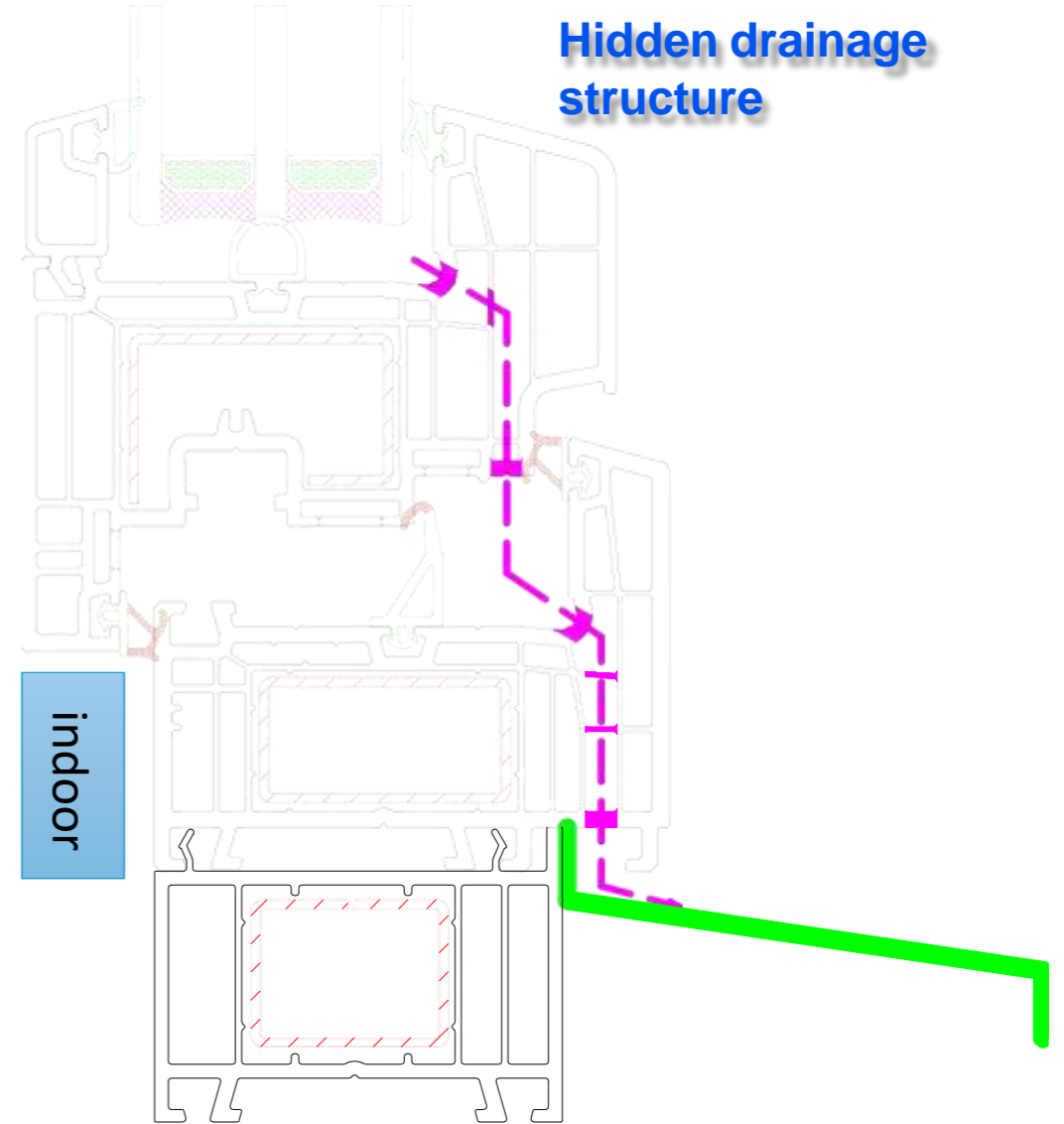
# E82und Top Performance (Refractory) Window System.

## Drainage System

Conventional drainage structure

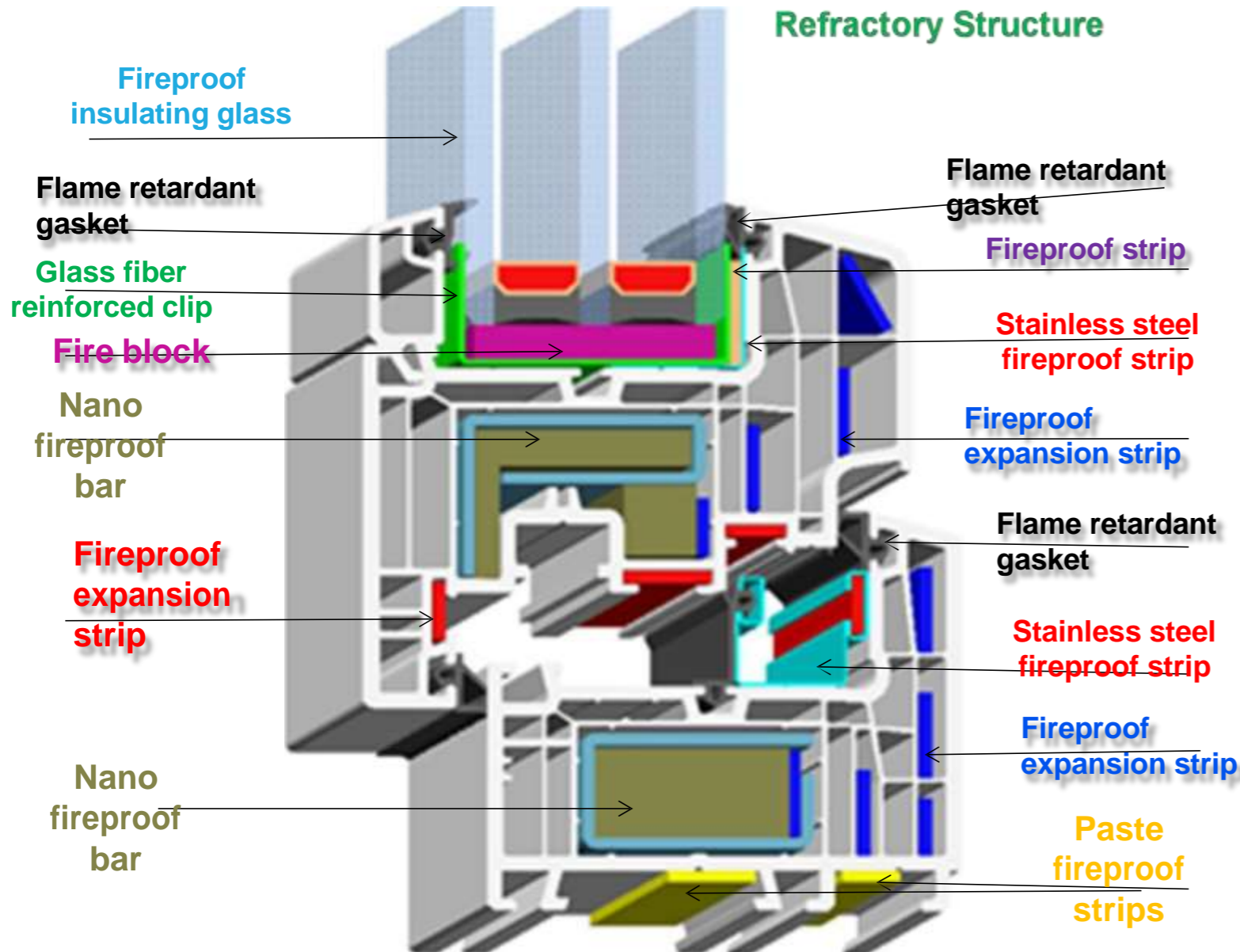


Hidden drainage structure



# E82und Top Performance (Refractory) Window System.

## Refractory Structure



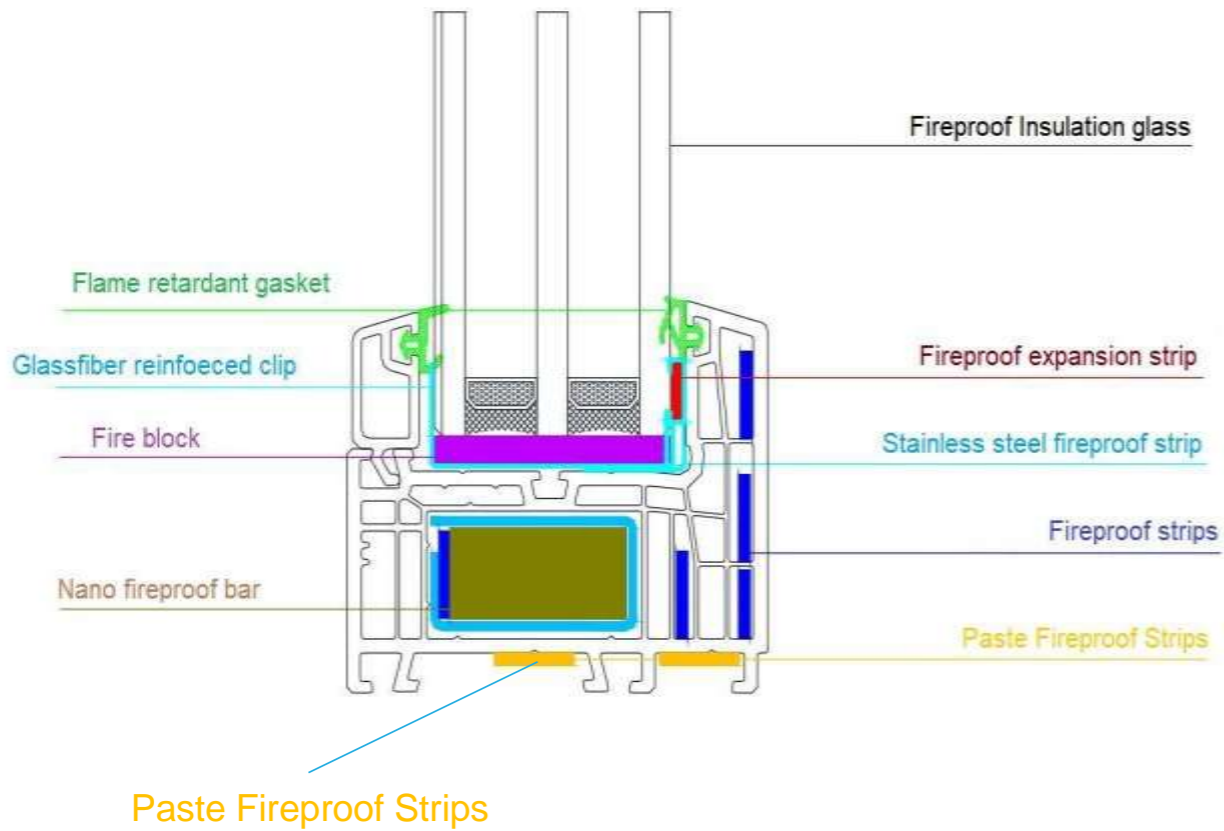
## Four breakthroughs in refractory

- 1、 Steel clips are fitted on the inside, outside and below the glass. And we set SS304 stainless steel fire strip in the opening part of the window and make it closely connected with steel reinforcement, which is the unique fire system structure of this system.
- 2、 Three "interpenetration expansion strip" card slots been added to the opening part;
- 3、 Abandoned the traditional "fire grouting" process. The "nano fireproof sticks" are used for filling. It enhanced thermal insulation and reduced sash deadweight;
- 4、 Fire sealing strips installed in the glass slot to block air convection. It greatly improves window sealing, and effectively alleviates heat transfer, improving sound insulation and thermal insulation performance.

The application of these technologies, together with the corresponding fireproof materials and measures, effectively ensures that the DIMEX E82 Refractory window is smoke-proof and fire-proof for 30 minutes.

# E82und Top Performance (Refractory) Window System.

## Section Drawing of Fixed Refractory Window System



## Glass Configuration Table of E82 Window System

Glass Configuration Table					
NOTE: Total thickness of inner & outer gasket are 6~7mm.					
	FRAME	SASH	MULLION	GLAZING BEAD	Thickness of glass
E82 Casement Window System	810100	810200	810400	624600	51
				820100	46
				629600	42
				625900	36

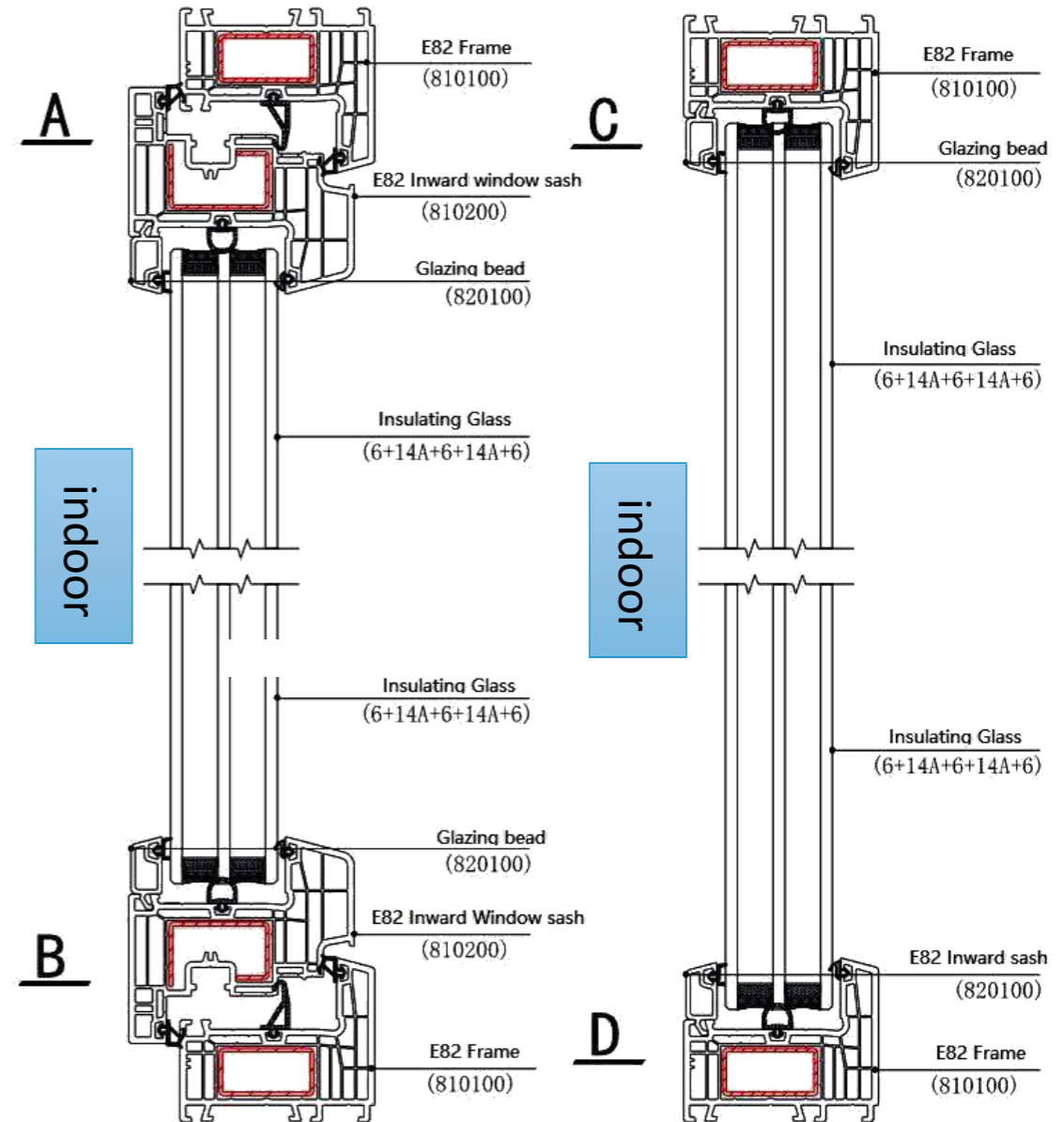
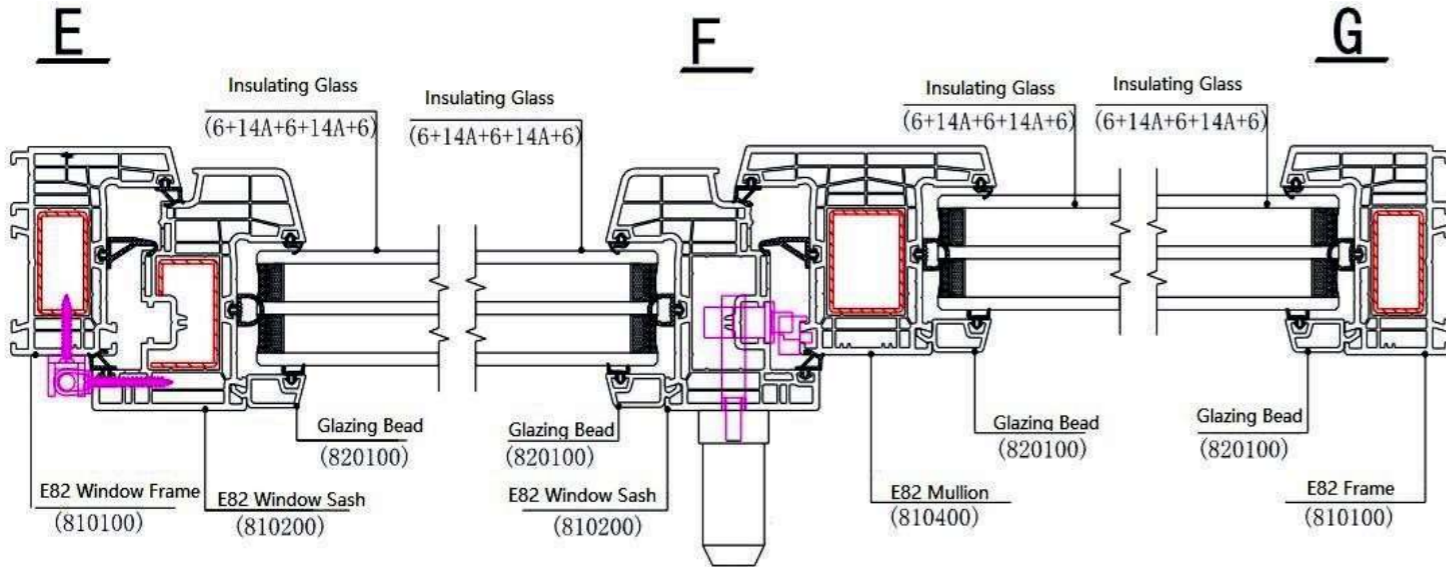
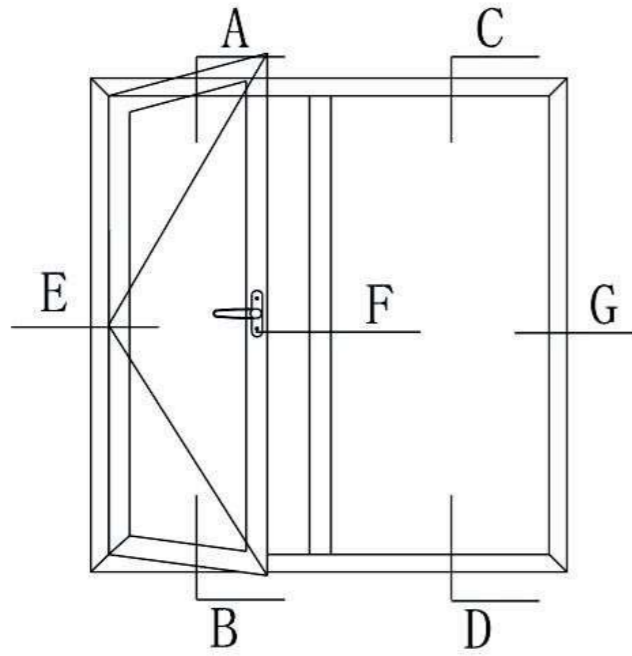
**Remarks:** All above are theoretical data. Users can choose the appropriate thickness of the rubber gasket according to the thickness of glass in order to better meet the requirements of glazing bead and glass. And carry out glass trial installation verification.

**WE PROMISE:** DIMEX E82und refractory window system ensures no smoke and fire penetration for 30 minutes.



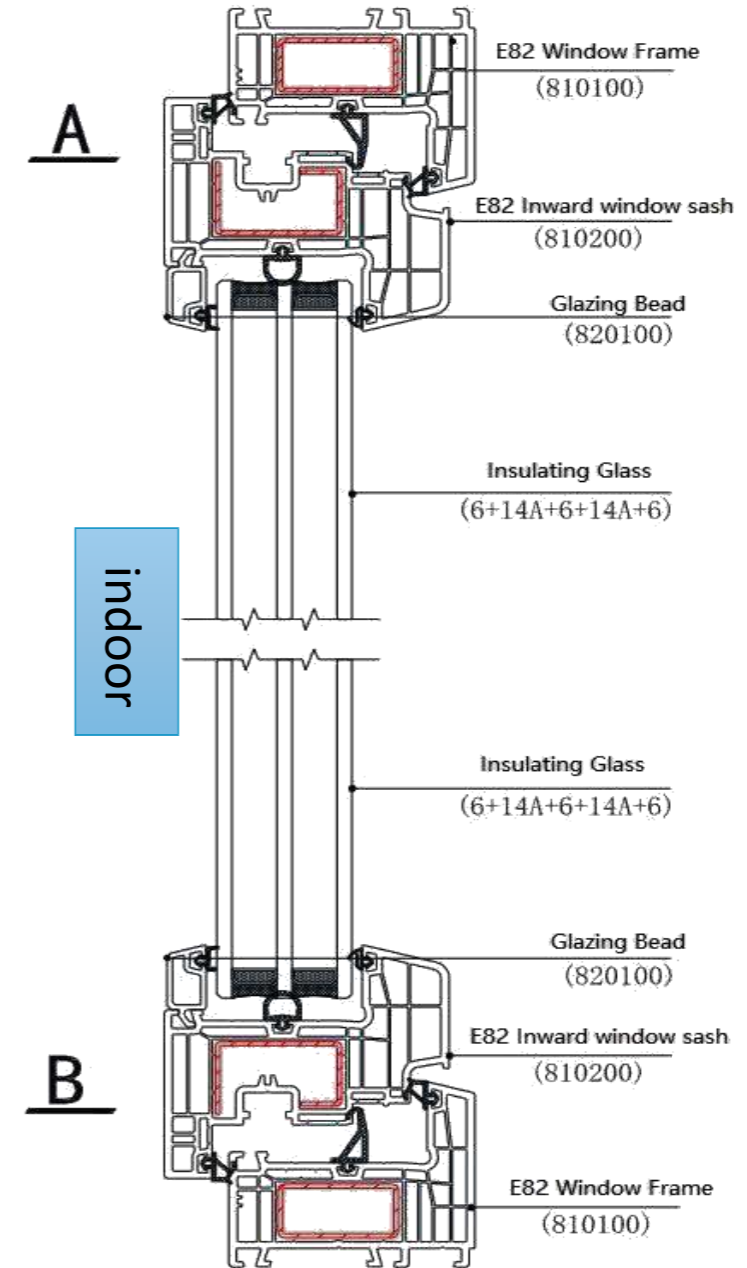
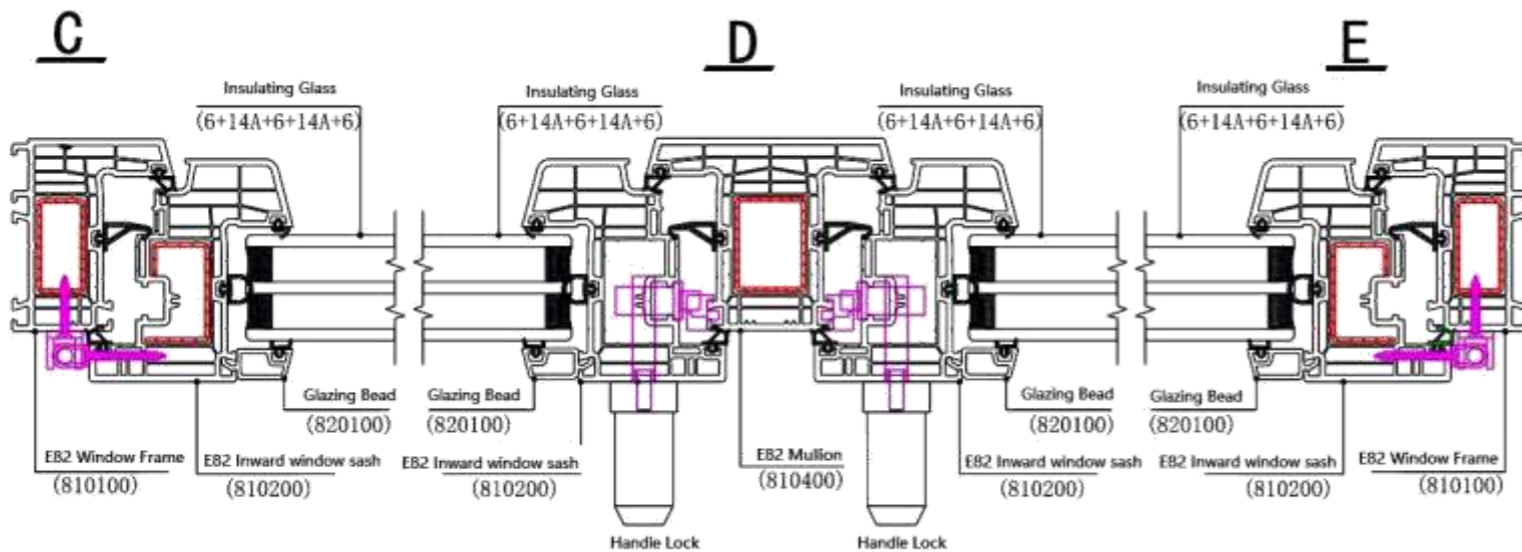
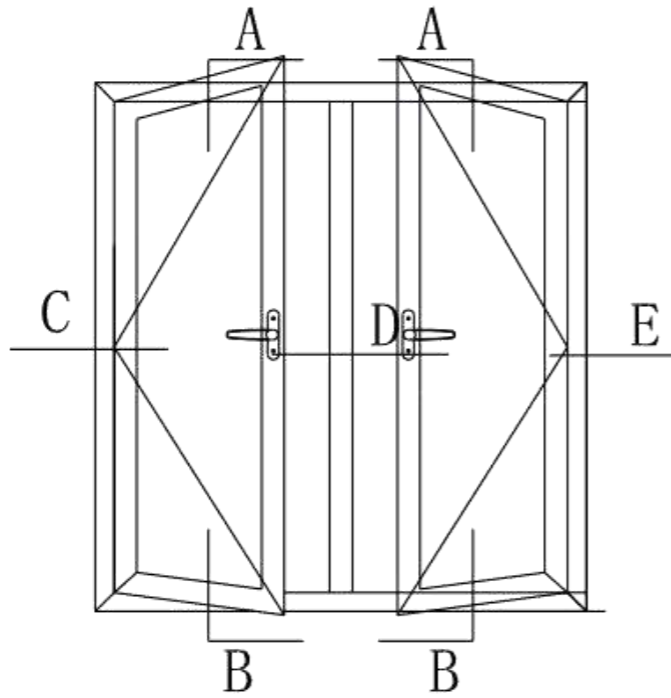


# Section Drawing E82und Window System.

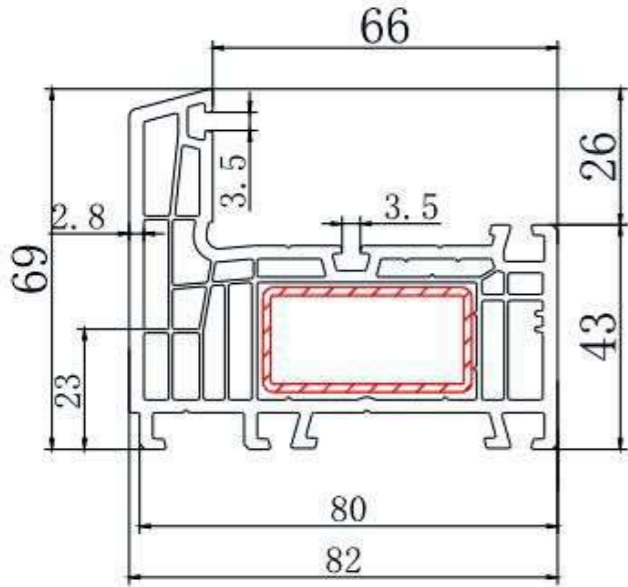




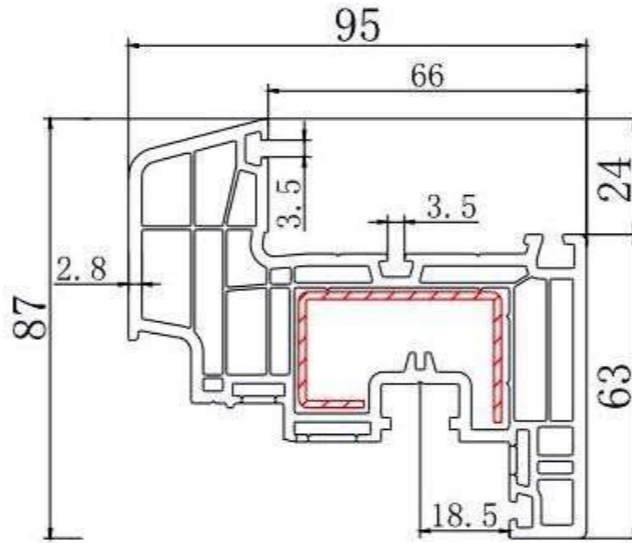
# Section Drawing E82und Window System.



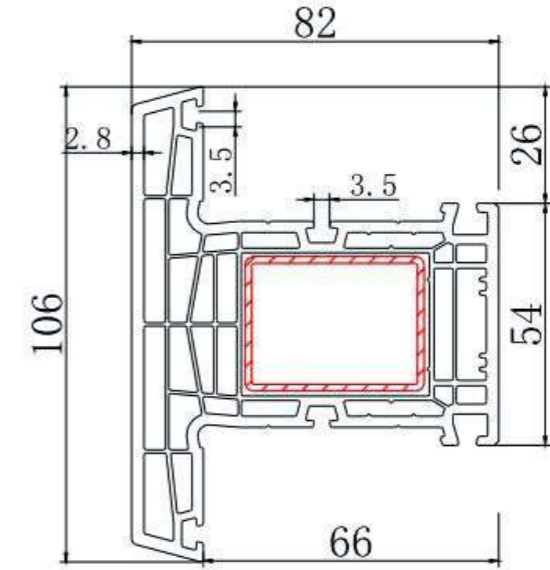
# Section Drawing E82und Window System.



NAME	E82 Casement Window Frame
CODE	810100
KG/M	1.78 kgs
Size of Steel Reinforcement	40 * 20mm

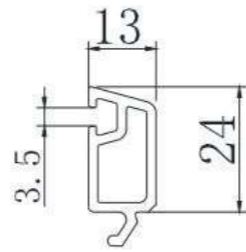
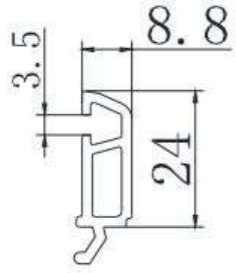


NAME	E82 Inward Opening Window Sash
CODE	810200
KG/M	2.00 kgs
Size of Steel Reinforcement	13*23*42*27mm

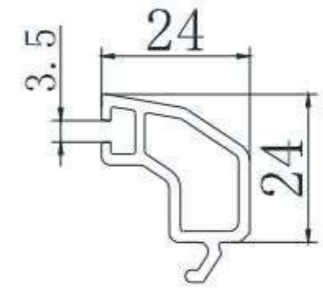
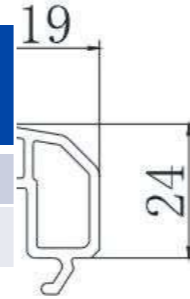


NAME	E82 Mullion
CODE	810400
KG/M	2.23 kgs
Size of Steel Reinforcement	39 * 30mm

# Auxiliary Profiles of E82und Window System.



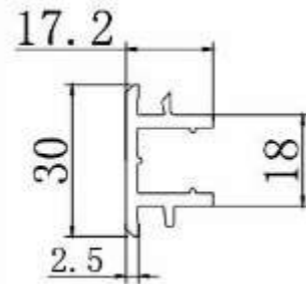
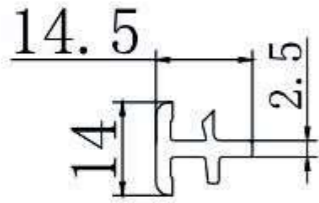
NAME	8.8mm Glazing Bead
CODE	624600
KG/M	0.1732



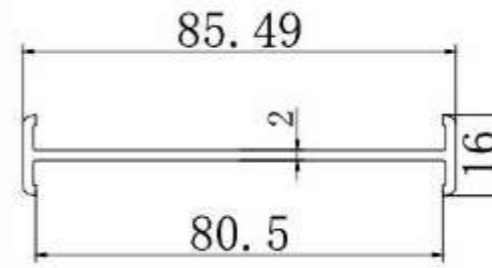
NAME	13mm Glazing Bead
CODE	820100
KG/M	0.201

NAME	19mm Glazing Bead
CODE	629600
KG/M	0.217

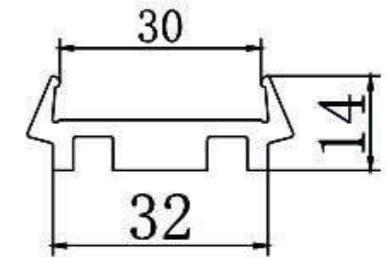
NAME	24mm Glazing Bead
CODE	625900
KG/M	0.245



NAME	Coupling Profile
CODE	623900
KG/M	0.237



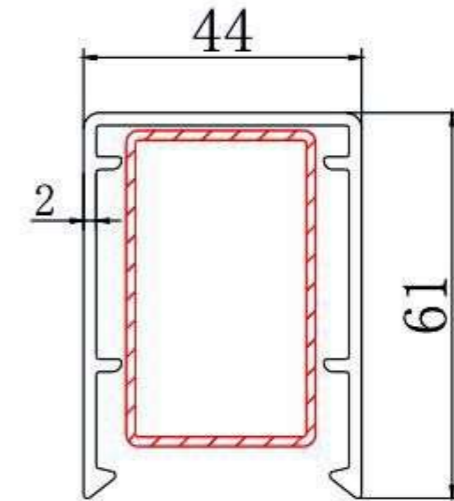
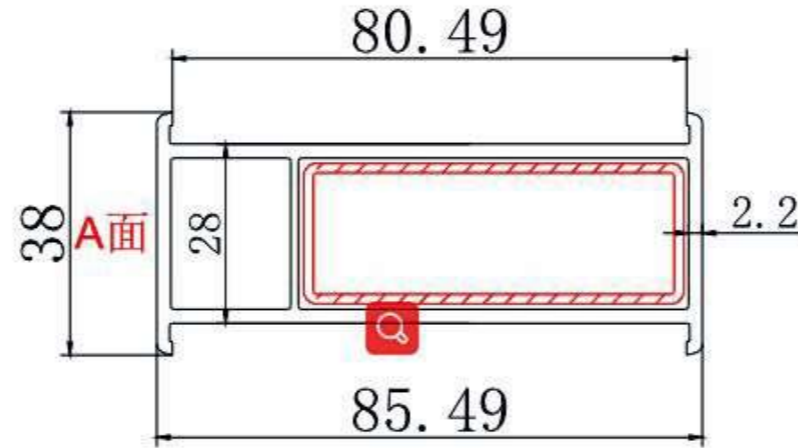
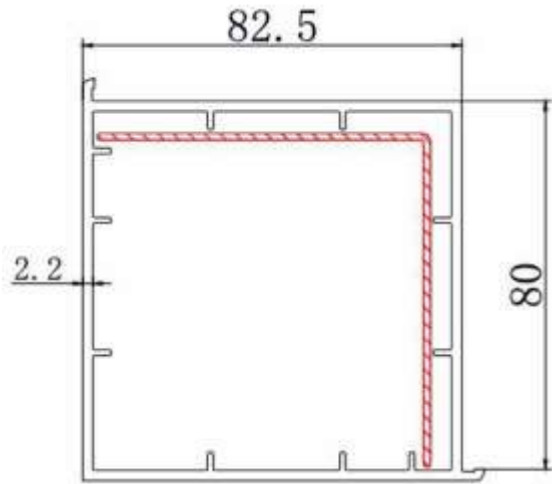
NAME	80 Coupling Profile
CODE	629900
KG/M	0.342



NAME	Deck of Enhanced Mullion
CODE	629900
KG/M	0.245

NAME	Coupling Profile
CODE	621900
KG/M	0.102

# Accessories of E82und Window System.



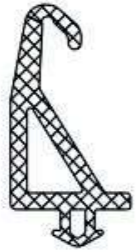
NAME	80 Square Post
CODE	629800
KG/M	1.195 kgs
Size of Steel Reinforcement	72 * 72mm

NAME	80 Coupling Profile
CODE	630000
KG/M	0.850 kgs
Size of Steel Reinforcement	59 * 22mm

NAME	Cover of Enhanced Mullion
CODE	627800
KG/M	0.580 kgs
Size of Steel Reinforcement	30 * 50mm



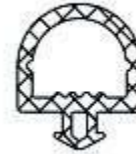
# Accessories of E82und Window System.



NAME	Gasket of E82
CODE	E82008



NAME	Gasket of E82
CODE	E82009



NAME	Gasket of E82
CODE	E82010



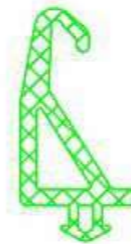
NAME	Fireproof Gasket of E82
CODE	E82018



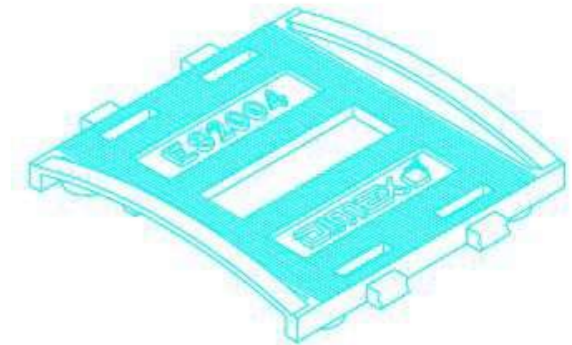
NAME	Fireproof Gasket of E82
CODE	E82019



NAME	Fireproof Gasket of E82
CODE	E82009



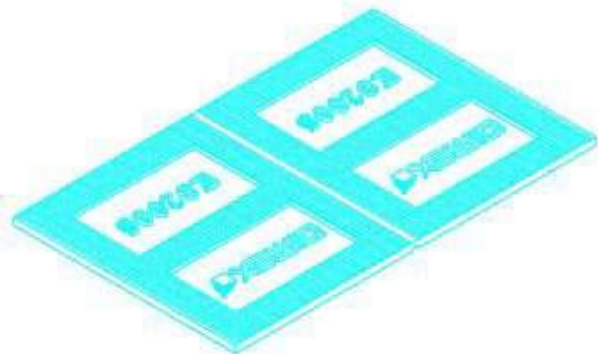
NAME	Fireproof Gasket of E82
CODE	E82016



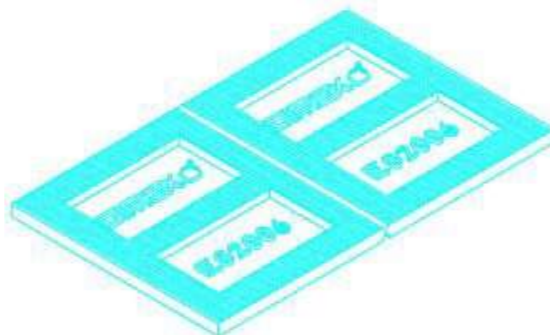
NAME	Glazing Bridge of E82
CODE	E82004



# Accessories of E82und Window System.



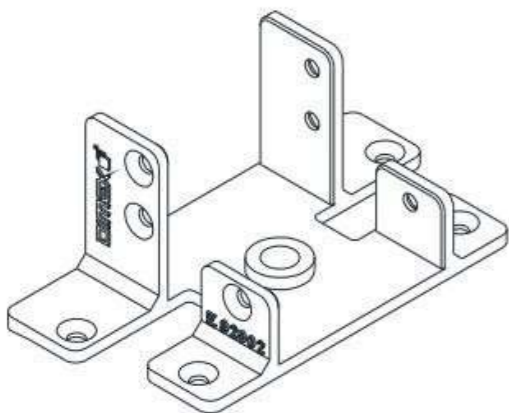
NAME	2mm Glazing Wedge of E82
CODE	E82005



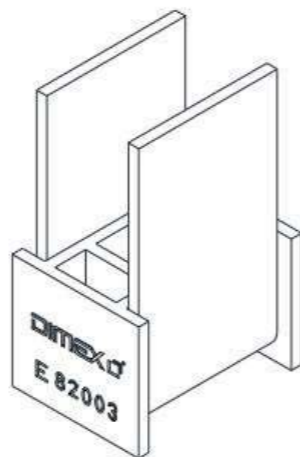
NAME	3mm Glazing Wedge of E82
CODE	E82006



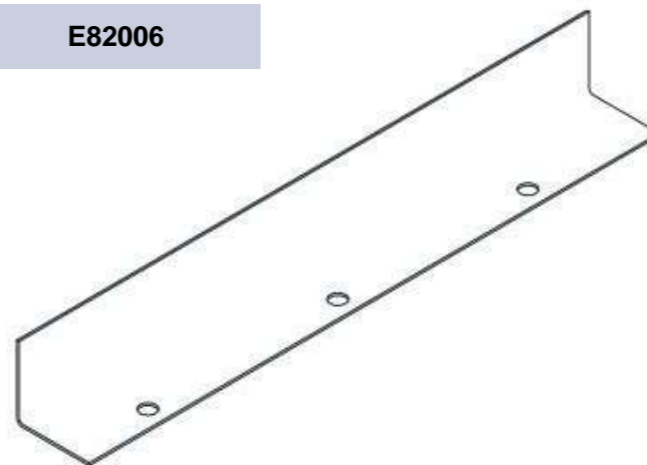
NAME	5mm Glazing Wedge of E82
CODE	E82007



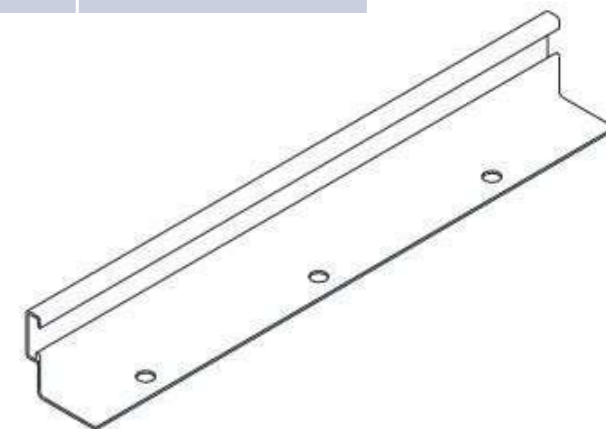
NAME	Outside Fastener of E82
CODE	E82002



NAME	Inside Fastener of E82
CODE	E82003



NAME	Stainless Steel Fireproof Strip of E82
CODE	E82013



NAME	Stainless Steel Fireproof Strip of E82
CODE	E82014

# Color Options of DIMEX Profiles.

## Color Options:

A. Standard White (High intensity uv protection).

B. Color Co-extruded (ASA +PVC).

C. Full Color (Homogeneous).

Entire body Brown



Entire body Blue



Entire body Grey



Entire body Yellow



D. Laminated.

Dark Ork



Golden Ork



Mahogany



Walnut V



Dark Grey



Dark Brown



Anthracite Grey



Chocolate Brown





DIMEX (Taicang) Window Profile Co.,Ltd.

Since 1933 From 

SGS



## WARRANTY CERTIFICATE

### 30 Years Warranty for White Profiles

DIMEX uPVC window & door profiles are lead free with high intensity uv protection and have passed **CE, SGS, SKZ** certification.

DIMEX's Lotus Series High UV white profiles have passed 8000 Hours UV retardant Xenon test in SKZ Testing of Germany.

And the Edelweiss Series window profiles also passed 6000 Hours UV retardant Xenon test.

DIMEX hereby provides warranty for its white profiles for a period of 30 years, against colorfree and functional dimension changed.

If any unqualified products are received, we will replace all of them free of charge.

**DIMEX (TAICANG) WINDOW PROFILE CO.,LTD.**